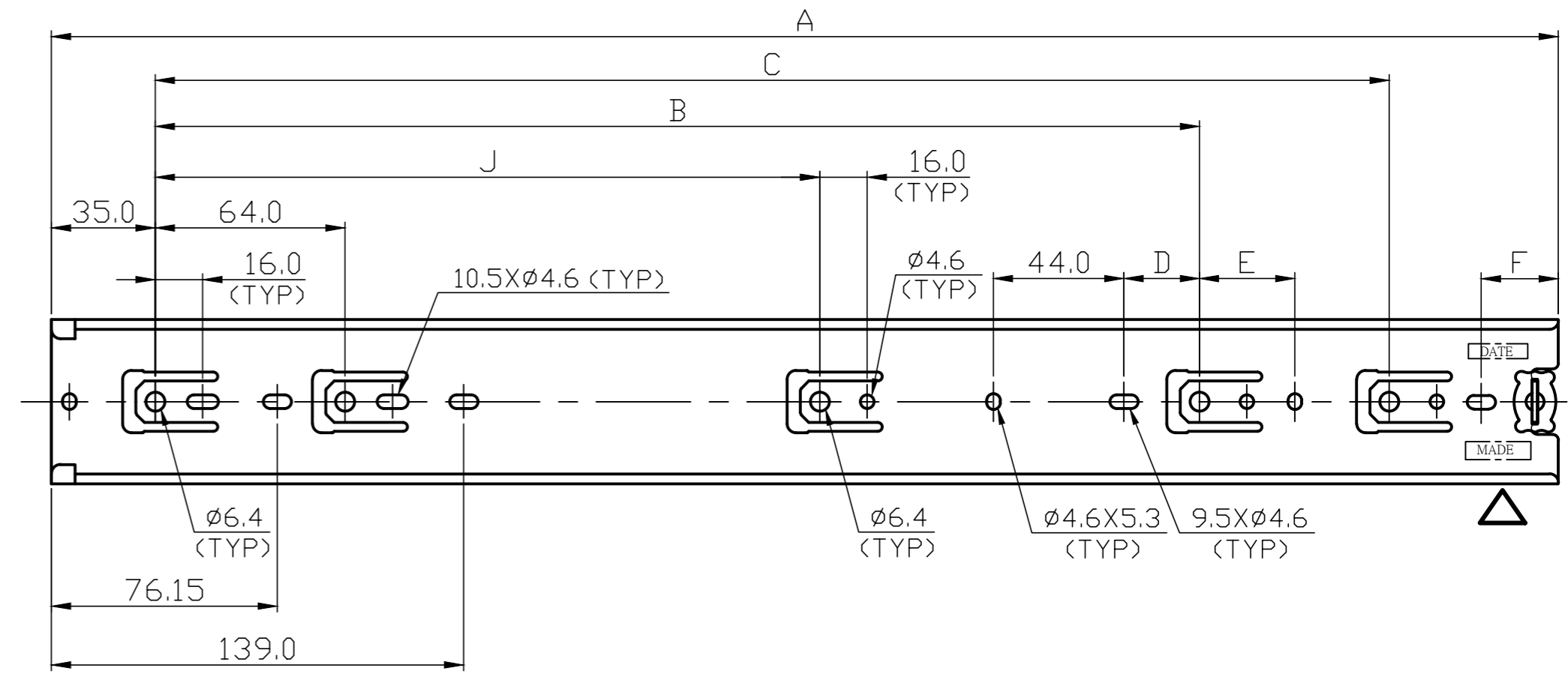


SIZE(IN)	A	B	C	D	E	F	G	H	J	TRAVEL
10	254.0	/	/	/	/	/	168.5	/	160.0	254.0
12	304.8	/	/	/	/	/	96.0	128.0	224.0	304.8
14	355.6	/	/	/	/	46.6	128.0	128.0	224.0	355.6
16	406.4	288.0	/	/	/	33.4	160.0	160.0	224.0	406.4
18	457.2	352.0	/	25.45	32.15	/	160.0	192.0	224.0	457.2
20	508.0	352.0	416.0	25.45	32.15	/	192.0	224.0	224.0	508.0
22	558.8	352.0	416.0	25.45	32.15	57.8	224.0	256.0	224.0	558.8
24	609.6	352.0	480.0	25.45	32.15	44.8	256.0	256.0	224.0	609.6
26	660.4	352.0	544.0	25.45	32.15	/	256.0	320.0	224.0	660.4
28	711.2	352.0	544.0	25.45	32.15	82.2	256.0	352.0	224.0	711.2
$\Delta$ 30	762.0	416.0	672.0	25.45	32.15	/	288.0	384.0	224.0	762.0
32	812.8	416.0	672.0	25.45	32.15	55.8	320.0	384.0	224.0	812.8



NOTES :

- Material Spec: Slide member - cold rolled steel, retainer - galvanized steel, bearing - carbonized steel, lubricant - anti-wear, high-low temperature grease
- Loading: 150# (68 kgf) based on 18"
- Functional temperature: 5 degree C to 35 degree C (room temperature)
- Finish: zinc plated
- (P1)/Detent force:  $1.2 \pm 0.4$ kgf/piece
- (P2)/pull force: 0.3~1.0kgf/piece
- Slide must be measured at the area where ball bearings fully support for slide thickness
- Slide is provided with disconnect

TOLERANCES ARE FOLLOWS UNLESS OTHERWISE SPECIFIED		REV	DATE	DESCRIPTION	DRW
$\pm .XX$	$\pm 0.30$	$\Delta$			
$\pm .X$	$\pm 0.76$				
HOLE	$\pm 0.15$				
ANGLE	$\pm 1^\circ$				
$\phi$	SCALE:				
$\Delta$	UNIT: MM				
	CLASSIFICATION:				

REV	DATE	DESCRIPTION	DRW

DRW:	CUSTOMER P/N:
DATE: 2004/05/27	CUSTOMER
CKD:	APPD:

TITLE:	MODEL: TSS5413
MATERIAL:	P/N:
FINISH:	SHEET 1 OF 1