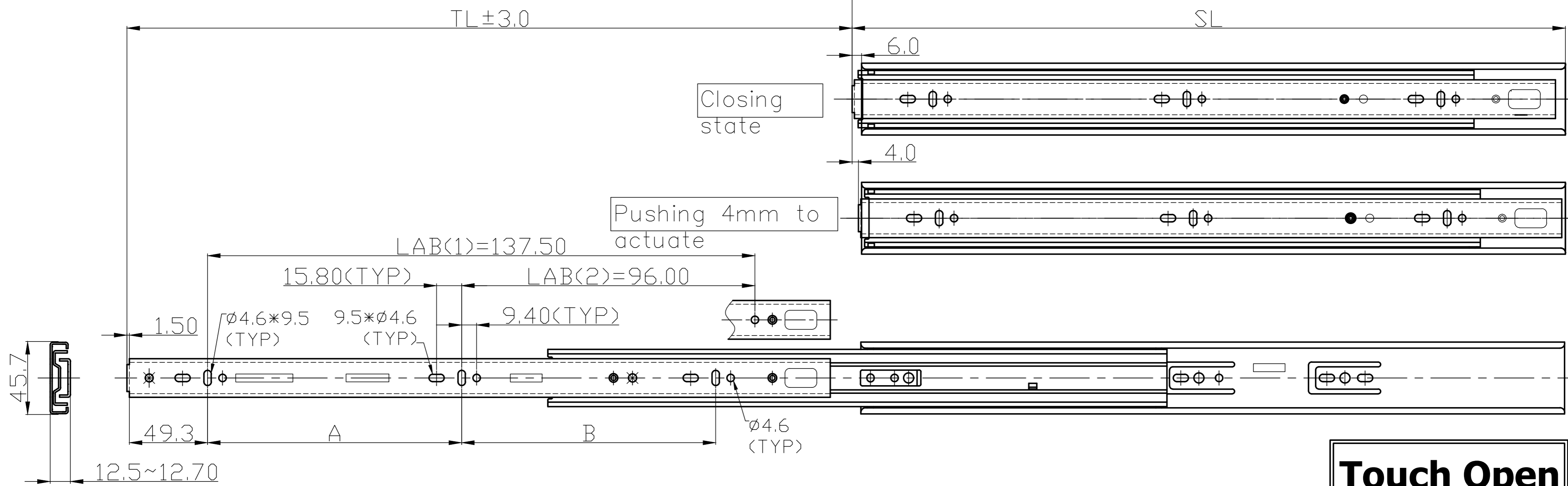
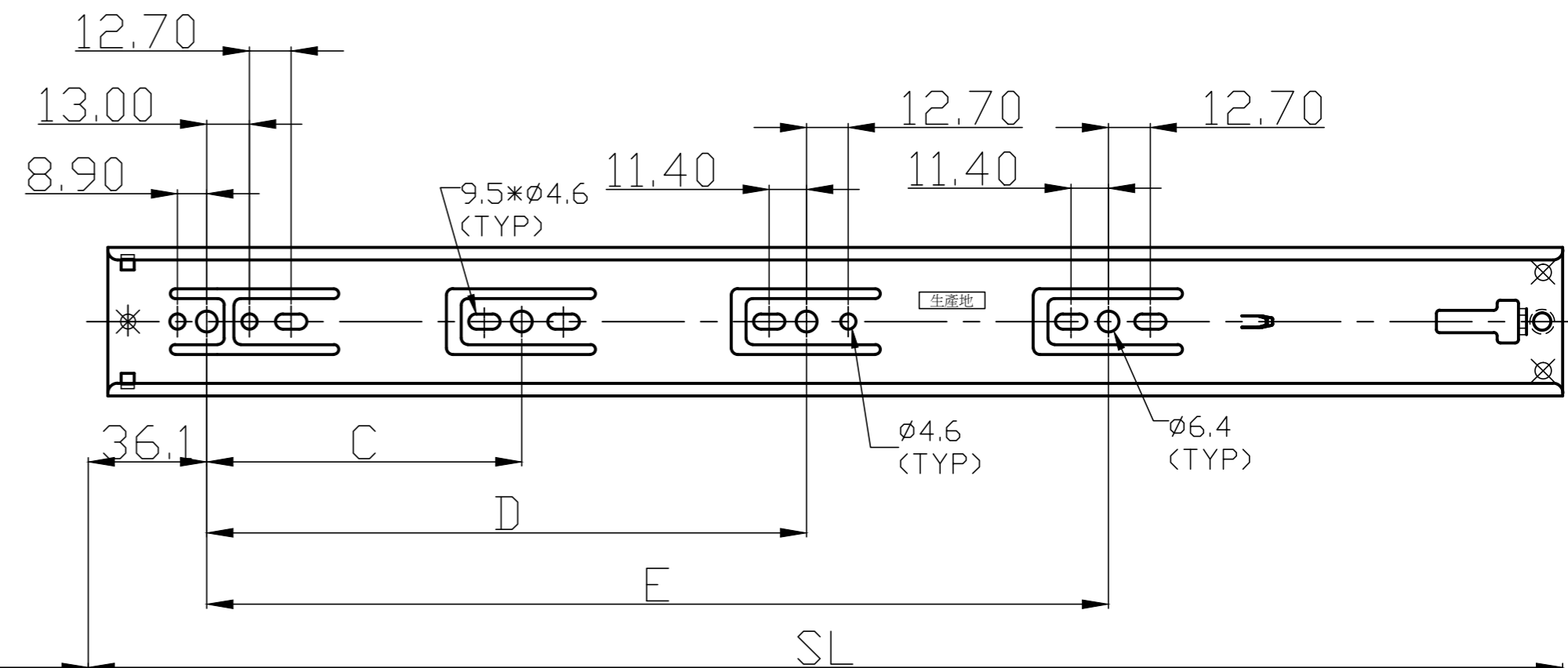


SIZE (mm)	250	300	350	400	450	500	550	600	650	700
A	LAB(1)	96.0	96.0	128.0	160.0	192.0	224.0	224.0	256.0	256.0
B		LAB(2)	128.0	144.0	160.0	160.0	192.0	224.0	256.0	320.0
C	80.0						224.0	256.0	288.0	320.0
D		136.0	192.0	128.0	128.0	192.0				
E				240.0	288.0	336.0	384.0	432.0	486.0	544.0
SL	251.6	301.6	351.6	401.6	451.6	501.6	551.6	601.6	651.6	701.6
TL	227.7	302.5	353.3	404.1	454.9	505.7	556.5	607.3	658.1	708.9



**Touch Open**



**NOTES :**  
 1. Material Spec: Slide member - cold rolled steel, retainer - galvanized steel, bearing - carbonized steel, lubricant - anti-wear, high-low temperature grease  
 2. Loading: 100# (45 kgf) based on 18"  
 3. Functional temperature: 5 degree C to 35 degree C (room temperature)  
 4. Finish: zinc plated  
 5. (P1)/Detent force : 1.2± 0.4kgf/piece  
 6. (P2)/pull force : 0.3~1.0kgf/piece  
 7. slide must be measured at the area where ball bearings fully support for slide thickness  
 8. Slide is provided with disconnect

TOLERANCES ARE FOLLOWS UNLESS OTHERWISE SPECIFIED		REV	DATE	DESCRIPTION	DRW
XXXLXXX	±0.30 [±0.012]				
XXLXX	±0.76 [±0.03]				
HOLES	±0.15 [±0.006]				
ANGLE	±1°				
SCALE:					
UNIT:	mm [in]				
CLASSIFICATION:					

DRW:	CUSTOMER P/N:	TITLE:
2009/06/17		MODEL: TSS4613TTO
DATE:	CUSTOMER	MATERIAL:
CKD:	APPD:	P/N:
		SHEET 1 OF 1